


## TECHNICAL DATA SHEET

PRODUCT	<b>HPU-LW-2-21H-N*-L**/options</b>	
SERIES	<b>HPU-LW-2 Single Acting</b> Air operated, hydraulic power pack for pressure testing, chemical injection and hydraulic power.	

### FEATURES

- Infinitely variable output pressure and flow
- Holds static pressure without generating heat or consuming power
- Standard models are suitable for oil or water applications
- Well proven and trouble-free operation
- Designed for ease of maintenance
- Low cost servicing
- Robust construction

### PERFORMANCE DATA

Max Rated Output Pressure	2,150psi (148bar)
Output Per Cycle	4.06 in <sup>3</sup> (61.5cc)
Max Flow	976 in <sup>3</sup> /min (16 litre/min)
Max Air Supply Pressure	100psi (7bar)
Ratio	21 : 1
Air Consumption	56 scfm (1,586 NI/min)
Tank Capacity	1.65 Gallons (7.5 litres)

### SEAL OPTIONS (N\*)

N* (standard)	Nitrile (Buna-N) Main Seal and Check Valve Seals
V	Viton (FKM) Main Seal and Check Valve Seals
C	Chemraz (FFKM) Main Seal and Check Valve Seals

## CONSTRUCTION

Frame and Tank	Stainless Steel Frame & Plastic Tank
Air Motor	Anodised Aluminium / Wound Composite / Nitrile (Buna-N) Seals
Hydraulic Cylinder	Stainless Steel
Piston	Stainless Steel + Chrome Finish
Outlet Port	Stainless Steel
L1** (standard)	Nylon / Copper / Brass, Hydraulic / Air Inlet & Plated Steel Silencer
L2** (optional)	Stainless Steel, Hydraulic / Air Inlet & Silencer

## CONNECTIONS

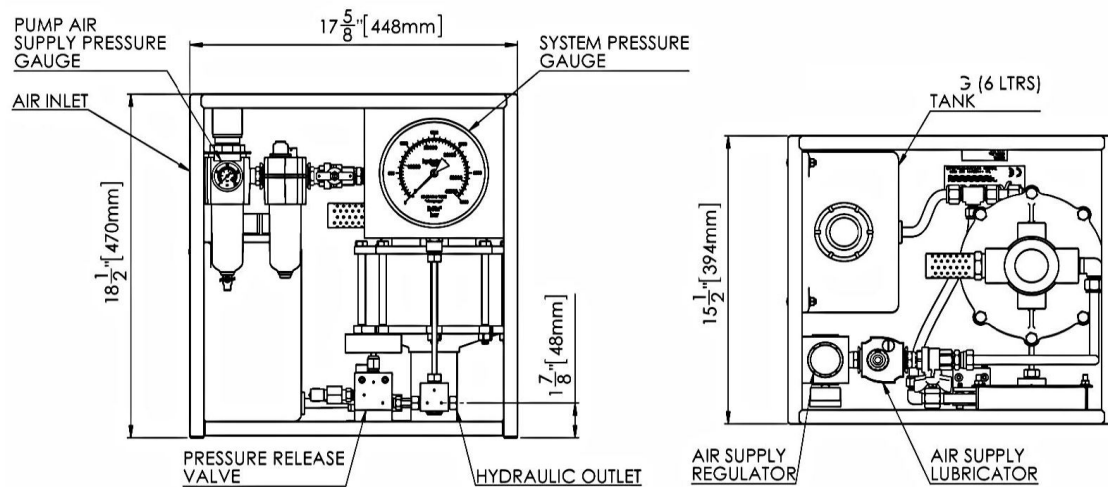
Hydraulic Outlet	1/2" NPT(F)
Air Inlet	1/2" BSPP(F)
Net Weight	24kg (53lb)

## COMMON OPTIONS (BUT NOT LIMITED TO)

/ A	ATEX (94/9/EC) II 2GD c T5
/ Q	No tank-direct fluid inlet via Y type stainless steel strainer
/ V	No tank-direct hydraulic inlet via Y type brass strainer

## GENERAL LAYOUT DRAWING

Model: **HPU-LW-2-21H**



## HYDRAULIC PRESSURE STATIC / STALL CONDITIONS

AIR PRESSURE	HYDRAULIC PRESSURE
20psi (1.4bar)	425psi (29.3bar)
40psi (2.8bar)	875psi (60.3bar)
60psi (4bar)	1,300psi (89.7bar)
80psi (5.5bar)	1,750psi (121bar)
100psi (7bar)	2,150psi (148bar)

## FLOW CURVE

AZ-2-21 - Ratio 21:1

